

### Features

- The Awaken handshower features a contemporary design.
- Three spray functions and ADA-compliant nonpositive shutoff.
- Thumb tab allows for a smooth transition between sprays.
- MasterClean™ sprayface features an easy-to-clean surface that withstands mineral buildup.
- 36" (914 mm) metal slidebar.

### Material

- KOHLER finishes resist corrosion and tarnishing.
- Premium metal constructed slidebar and shower hose.

### Installation

- Adjustable mounting brackets provide flexibility on wall-mount installations.

### Water Conservation & Rebates

- This product can help a building earn Water Efficiency points in LEED® Green Building Rating System.

### Recommended Products/Accessories

K-23723 Faucet cleaner

### Optional Products/Accessories

K-98350 wall-mount supply elbow  
K-98351 wall-mount supply elbow with check valve

### Included Components

Additional Components:  
60-inch MasterShower® metal hose



### Codes/Standards






ASME A112.18.1/CSA B125.1  
DOE - Energy Policy Act 1992  
EPA WaterSense®  
California Energy Commission (CEC)  
ADA  
ICC/ANSI A117.1  
OBC

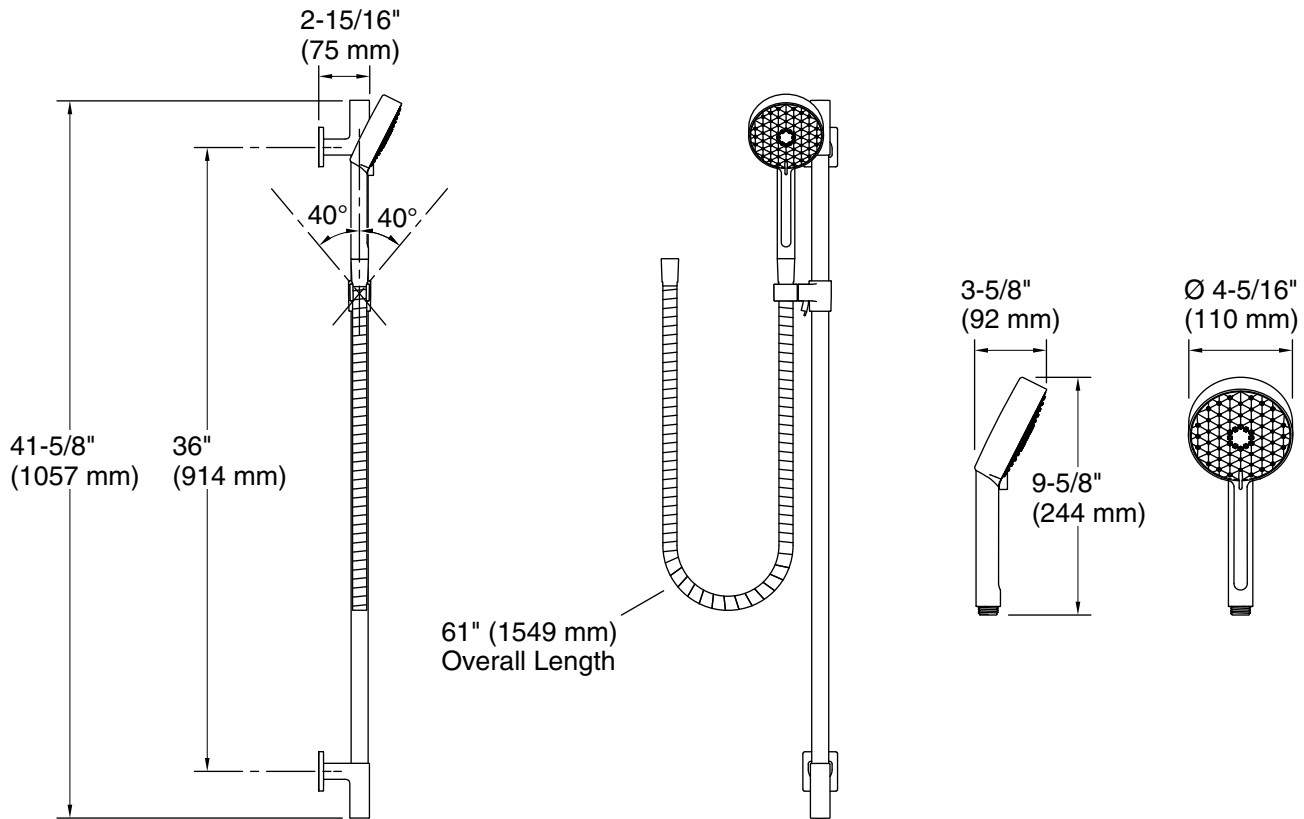
### KOHLER® Faucet Lifetime Limited Warranty

See website for detailed warranty information.

### Available Colors/Finishes

*Color tiles intended for reference only.*

Color	Code	Description
	CP	Polished Chrome
	BN	Vibrant® Brushed Nickel
	2BZ	Oil-Rubbed Bronze
	BL	Matte Black
	2MB	Vibrant® Brushed Moderne Brass



### Technical Information

All product dimensions are nominal.

### Handshower:

Rated maximum flow: 1.75 gal/min (6.6 l/min)

### Notes

Install this product according to the installation instructions.

Plumbing codes require approved backflow prevention devices to be installed in-line to handshowers. Please consult with local plumbing officials.

Mount the slidebar to stud framing or install backing support. For tile or other solid finish surfaces: Pre-drill mounting holes through surface material only; do not drill into the stud. For drywall surface: No pre-drill is required.

ADA, OBC compliant when installed to the specific requirements of these regulations.